



**Features:**

- 5 Functions
- 10 Time Ranges
- Front Knobs for Time Range, Time Scale & Mode Setting
- Slim, Space Saving Design
- DIN Rail Mount

Size: DIN 17.5mm

Certifications: CE



**Technical Specifications**

**Input Specifications**

Accuracy	Setting: ±5% of F.S. Repeat: ± 0.5% (F.S. = Full Scale)
Reset	Reset time < 100 msec

**Output Specifications**

Output Contact	DPDT (2 C/O)
Contact Rating	NO/5A, NC/3A@250V AC

**Functional Specifications**

Modes	On delay (A) Interval (B) Cyclic equal OFF first (C) Cyclic equal ON first (Ci) Pulse output (D)
Time Ranges	0.1 - 1 sec, 0.3 - 3 sec, 1 - 10 sec, 3 - 30 sec 0.1 - 1 min, 0.3 - 3 min, 1 - 10 min, 3 - 30 min 0.1 - 1 hr, 0.3 - 3 hr

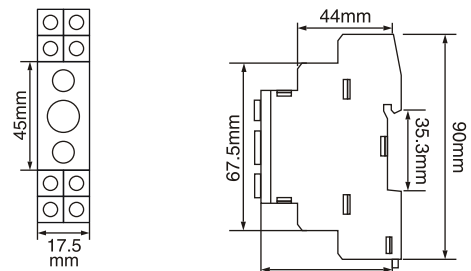
**Supply Voltage**

Supply Voltage	20-240V AC/DC (50 / 60 Hz)
Power Consumption	4VA max

**Environmental Specifications**

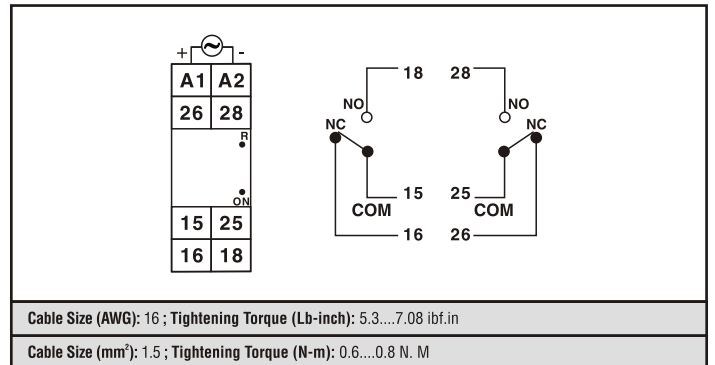
Temperature	Operating: 0 to 50°C (32 to 122°F) Storage: -20 to 75°C (-4 to 167°F)
Humidity (non-condensing)	95% RH
Weight	68 gms
Protection Level	IP40 for Casing IP20 for terminals

**Dimensions**



Symmetrical 35mm Din Rail (EN50022) Mounting

**Terminal Connections**



**Ordering Information**

Part No.	Supply Voltage	Certification	
		CE	UL US LISTED 4576 IND. CONT. EQ.
600U-2	20-240V AC/DC	■	■
600U-CU	20-240V AC/DC	■	■

Timing Diagram

